

Best performance, efficiency and reliability

Technology and applications

ROSTA screen suspensions



98% vibration isolation



The ROSTA oscillating element at a glance

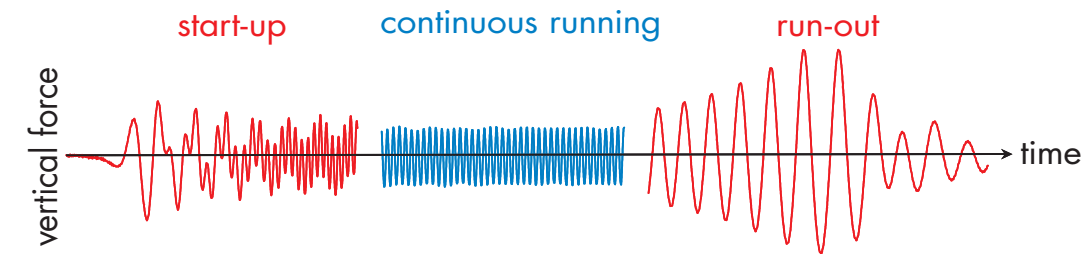
- Maximum energy transfer – higher productivity
- 98% vibration isolation – no additional damping device needed
- Unbreakable – not so with helical springs – no additional safety features needed
- Maintenance free – no production interruption – productivity gain
- Full lateral stability – not so with helical springs – no additional stabilizer required



Inclined dewatering screen on AB-HD 50-1.6 mountings



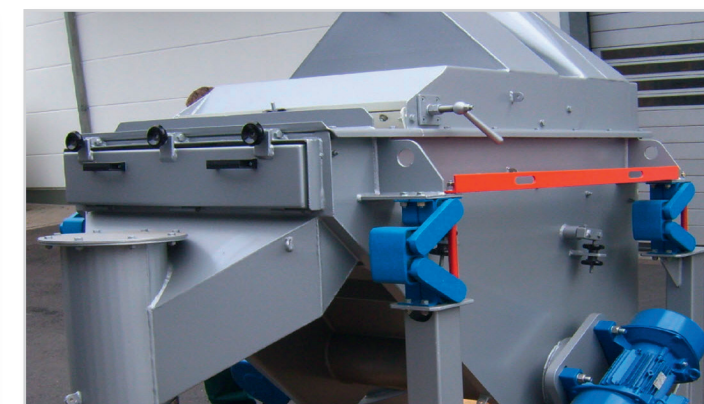
Classifying screen on AB-HD 50 mountings



The ROSTA oscillating mountings absorb all violent start-up and run-out force. This protects the conveyor and the entire substructure. Your system, your investment is up for a long-life cycle.



Selection screen on stainless steel ABI 40 mountings



Separation table on AB 38 mountings



Linear motion screen on AB 50 mountings



Mobile deck screen on HS 50 mountings

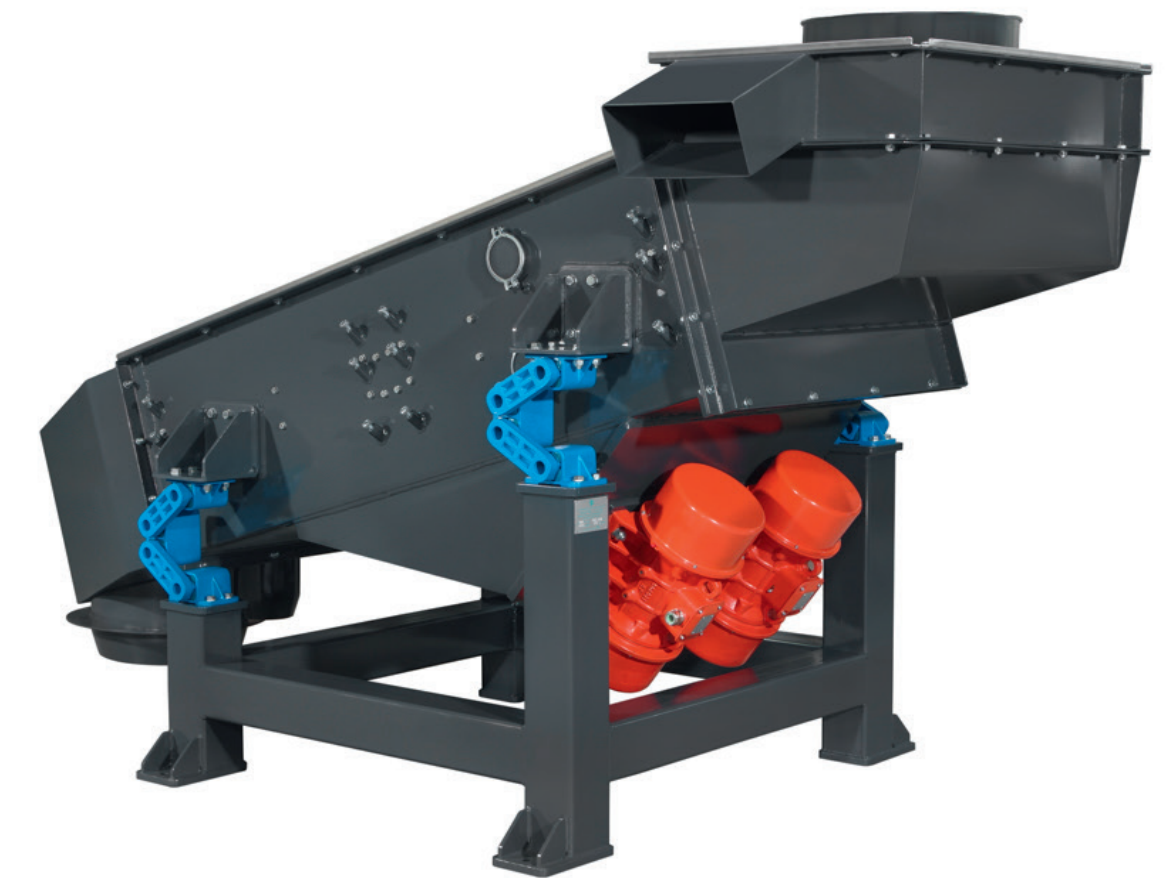
For Distributors:



ROSTA AG
 Hauptstrasse 58
 CH-5502 Hunzenschwil
 Phone +41-62-889 04 00
 Fax +41-62-889 04 99
 E-Mail info.ch@rosta.com
 Internet www.rosta.com

WZ017_946

Changes regarding data reserved. Any reprint, also in extracts, requires our explicit and confirmed approval.



Mining



Food



Pharma



Recycling



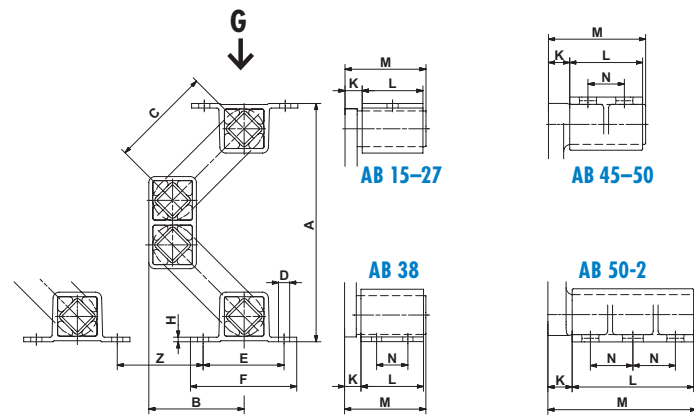
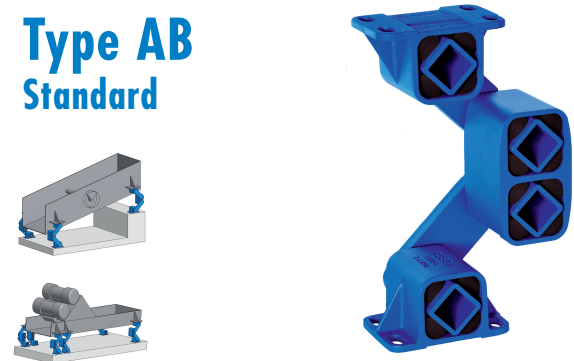
Oscillating Mountings for powder and bulk solids handling



ROSTA Oscillating Mountings

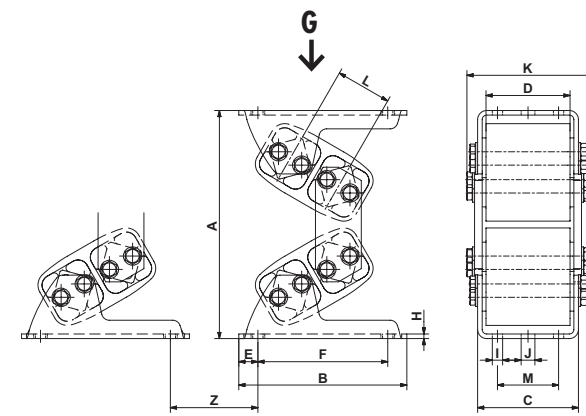
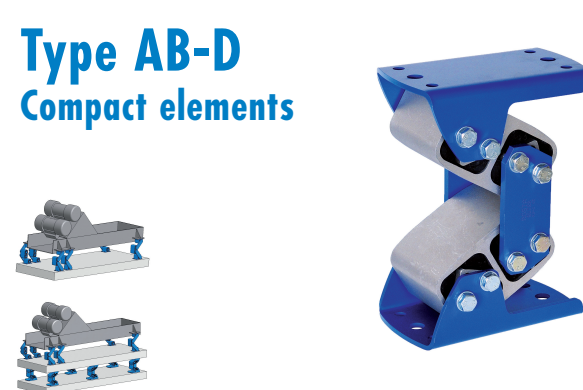


Type AB Standard



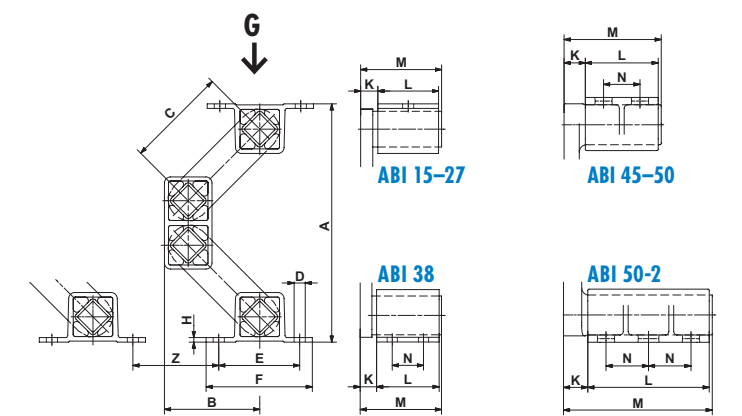
Art. No.	Type	Load capacity G _{min.} –G _{max.} [N]	A unloa- ded	A* max. load	B unloa- ded	B* max. load	C	D	E	F	H	K	L	M	N	Weight [kg]
07 051 056	AB 15	50 – 160	168	114	70	88	80	ø7	50	65	3	10	40	52	–	0.5
07 051 057	AB 18	120 – 350	208	146	88	109	100	ø9	60	80	3.5	14	50	67	–	1.2
07 051 058	AB 27	250 – 800	235	170	94	116	100	ø11	80	105	4.5	17	60	80	–	2.2
07 051 059	AB 38	600 – 1'600	305	225	120	147	125	ø13	100	125	6	21	80	104	40	5.1
07 051 054	AB 45	1'200 – 3'000	353	257	141	172	140	13x26	115	145	8	28	100	132	65	11.5
07 051 061	AB 50	2'500 – 6'000	380	277	150	184	150	17x27	130	170	12	35	120	160	60	19.1
07 051 055	AB 50-2	4'200 – 10'000	380	277	150	184	150	17x27	130	170	12	40	200	245	70	32.2

Type AB-D Compact elements



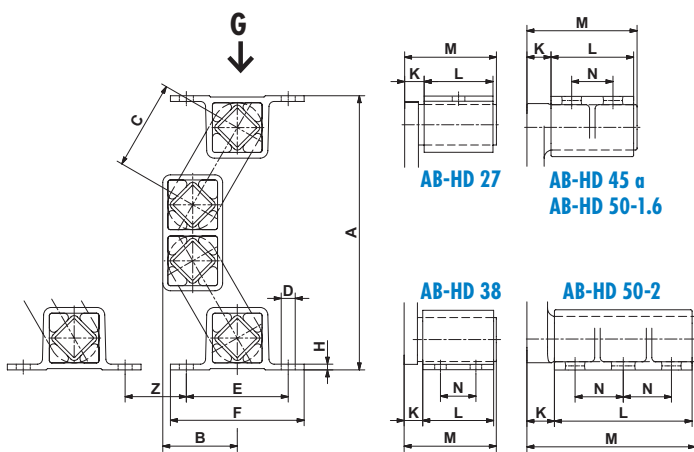
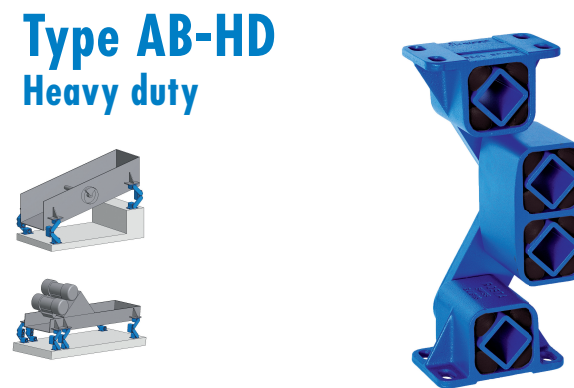
Art. No.	Type	Load capacity G _{min.} –G _{max.} [N]	A unloa- ded	A* max. load	B	C	D	E	F	H	I	J	K	L	M	Weight [kg]
07 281 000	AB-D 18	500 – 1'200	137	112	115	61	50	12.5	90	3	ø9	9	74	31	30	1.3
07 281 001	AB-D 27	1'000 – 2'500	184	148	150	93	80	15	120	4	ø9	11	116	44	50	2.9
07 281 002	AB-D 38	2'000 – 4'000	244	199	185	118	100	17.5	150	5	ø11	13.5	147	60	70	7.5
07 281 003	AB-D 45	3'000 – 6'000	298	240	220	132	110	25	170	6	13.5	18	168	73	80	11.5
07 281 004	AB-D 50	4'000 – 9'000	329	272	235	142	120	25	185	6	13.5	18	166	78	90	22.0
07 281 005	AB-D 50-1.6	6'000 – 12'000	329	272	235	186	160	25	185	8	13.5	18	214	78	90	25.5
07 281 006	AB-D 50-2	8'000 – 16'000	329	272	235	226	200	25	185	8	13.5	18	260	78	90	29.0

Type ABI Standard Stainless steel



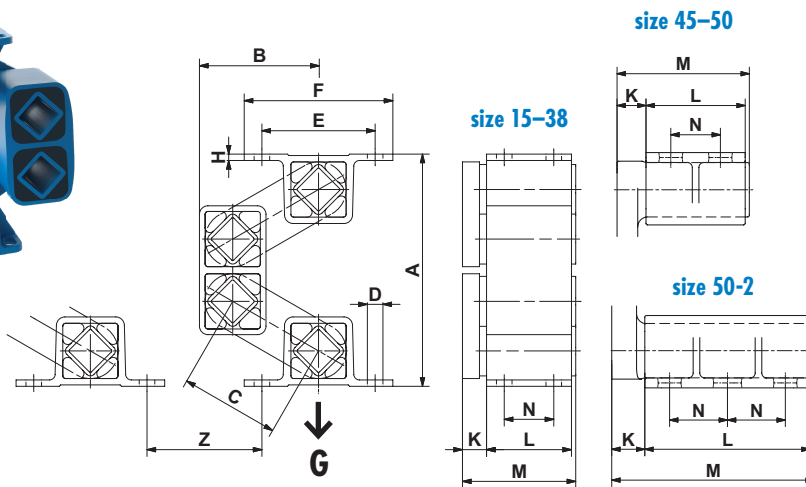
Art. No.	Type	Load capacity G _{min.} –G _{max.} [N]	A unloa- ded	A* max. load	B unloa- ded	B* max. load	C	D	E	F	H	K	L	M	N	Weight [kg]
07 171 107	ABI 15	70 – 180	168	114	70	88	80	7x10	50	65	3	10	40	52	–	0.9
07 171 114	ABI 18	120 – 350	208	146	88	109	100	9x15	60	80	3.5	14	50	67	–	1.7
07 171 109	ABI 27	250 – 800	235	170	94	116	100	11x20	80	105	4.5	17	60	80	–	3.3
07 171 110	ABI 38	600 – 1'600	305	225	120	147	125	13x20	100	125	6	21	80	104	40	7.6
07 171 111	ABI 45	1'200 – 3'000	353	257	137	168	140	13x26	115	145	8	28	100	132	58	13.5
07 171 112	ABI 50	2'500 – 6'000	380	277	150	184	150	17x27	130	170	12	35	120	160	60	21.9
07 171 113	ABI 50-2	4'200 – 10'000	380	277	150	184	150	17x27	130	170	12	40	200	245	70	35.4

Type AB-HD Heavy duty



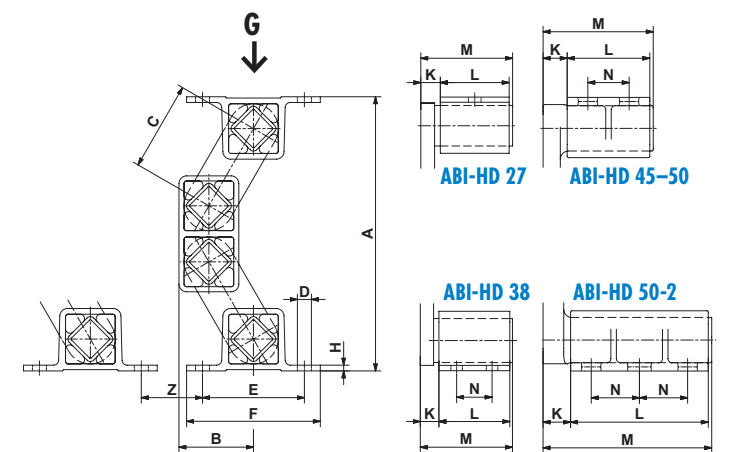
Art. No.	Type	load capacity G _{min.} –G _{max.} [N]	A unloa- ded	A* max. load	B unloa- ded	B* max. load	C	D	E	F	H	K	L	M	N	Weight [kg]
07 051 070	AB-HD 27	500 – 1'250	215	182	59	78	70	ø11	80	105	4.5	17	60	80	–	2.0
07 051 071	AB-HD 38	1'200 – 2'500	293	246	79	106	95	ø13	100	125	6	21	80	104	40	4.9
07 051 072	AB-HD 45	2'000 – 4'200	346	290	98	130	110	13x26	115	145	8	28	100	132	58	11.3
07 051 062	AB-HD 50	3'500 – 8'400	376	313	105	141	120	17x27	130	170	12	40	120	165	60	20.4
07 051 063	AB-HD 50-1.6	4'800 – 11'300	376	313	105	141	120	17x27	130	170	12	40	160	205	70	27.1
07 051 060	AB-HD 50-2	6'000 – 14'000	376	313	105	141	120	17x27	130	170	12	45	200	250	70	32.4

Type HS (standart blue) Type HSI (stainless steel) for hanging screens



Art. No.	Type	Load capacity G _{min.} –G _{max.} [N]	A unloa- ded	A* max. load	B unloa- ded	B* max. load	C	D	E	F	H	K	L	M	N	Weight [kg]
07 321 101	HSI 15	150 – 400	99	125	53	42	45	ø7	50	65	3	10	40	52	25	0.8
07 321 102	HSI 18	300 – 700	127	159	69	56	60	ø9	60	80	3.5	14	50	67	30	1.5
07 311 001	HS 27	500 – 1'250	164	202	84	68	70	ø11	80	105	4.5	17	60	80	35	3.4
07 321 103	HSI 27															
07 311 002	HS 38	1'200 – 2'500	223	275	114	92	95	ø13	100	125	6	21	80	104	40	4.9
07 321 104	HSI 38															
07 311 003	HS 45	2'000 – 4'200	265	325	138	113	110	13x26	115	145	8	28	100	132	58	11.3
07 321 105	HSI 45															
07 311 004	HS 50	3'500 – 8'400	288	357	148	118	120	17x27	130	170	12	40	120	165	60	20.4
07 321 106	HSI 50															
07 311 005	HS 50-2	6'000 – 14'000	288	357	148	118	120	17x27	130	170	12	45	200	250	70	32.4
07 321 107	HSI 50-2															

Type ABI-HD Heavy duty Stainless steel



Art. No.	Type	Load capacity G _{min.} –G _{max.} [N]	A unloa- ded	A* max. load	B unloa- ded	B* max. load	C	D	E	F	H	K	L	M	N	Weight [kg]
07 171 121	ABI-HD 15	150 – 400	132	107	36	50	45	7x10	50	65	3	10	40	52	–	0.8
07 171 128	ABI-HD 18	300 – 700	171	141	47	64	60	9x15	60	80	3.5	14	50	67	–	1.5
07 171 123	ABI-HD 27	500 – 1'250	215	182	59	78	70	11x20	80	105	4.5	17	60	80	–	3.3
07 171 124	ABI-HD 38	1'200 – 2'500	293	246	79	106	95	13x20	100	125	6	21	80	104	40	7.3
07 171 125	ABI-HD 45	2'000 – 4'200	346	290	94	126	110	13x26	115	145	8	28	100	132	58	13.6
07 171 126	ABI-HD 50	3'500 – 8'400	376	313	105	141	120	17x27	130	170	12	40	120	165	60	22.3
07 171 127	ABI-HD 50-2	6'000 – 14'000	376	313	105	141	120	17x27	130	170	12	45	200	250	70	35.8